

MAX-8

2019.V5



MAX-8

Excellent Performances & Reliability

CPCD50-100T8

T8 Diesel Forklift 5.0/6.0/7.0/8.0/10.0t

EP EQUIPMENT CO.,LTD
www.ep-eq.com



CPCD50/60/70T8

T8 series 5.0-7.0t forklift specification:

		EP												
		CPCD50T8	CPCD60T8	CPCD70T8	CPCD50T8	CPCD60T8	CPCD70T8	CPCD50T8	CPCD60T8	CPCD70T8	CPCD50T8	CPCD60T8	CPCD70T8	
General	1 Manufacture													
	2 Model	Diesel												
	3 Power type													
	4 Rated capacity	Kg	5000	6000	7000	5000	6000	7000	5000	6000	7000	5000	6000	7000
	5 Load center	mm	600											
	6 Lift height	mm	3000											
	7 Free lift height	mm	130											
	8 Fork size	L×W×T	1220×150×55 1220×150×60 1220×150×65 1220×150×65 1220×150×65 1220×150×65 1220×150×65 1220×150×65 1220×150×65 1220×150×65 1220×150×65 1220×150×65											
	9 Mast tilt range	F/R	6/12											
	10 Fork overhang(wheel center to fork face)	mm	635											
	11 Rear overhang	mm	700	770	810	700	770	810	700	770	810	700	770	810
	12 Length to face of fork	mm	3455	3592	3592	3472	3592	3592	3472	3592	3592	3472	3592	3592
	13 Overall dimensions	mm	1995											
	14 Mast lowered height	mm	2510											
	15 Mast extended height	mm	4429											
	16 Overhead guard height	mm	2410											
	17 Turning radius(outside)	mm	3330	3440	3480	3330	3440	3480	3330	3440	3480	3330	3440	3480
	18 Minimum rectangular aisle width.	mm	4068	4218	4218	4068	4218	4218	4068	4218	4218	4068	4218	4218
	19 Speed	Km/h	26											
	21 Lifting (Full load)	mm/sec	500/430	500/380	500/380	500/380	500/380	500/380	500/380	500/380	500/380	500/380	500/380	500/380
	22 Max. Drawbar Pull (Full load)	N	21000	22200	24400	21000	22200	24400	21000	22200	24400	21000	22200	24400
	23 Max. Gradeability (Full load)	%	20											
Performance	24 Tyres	mm	8.25-15-14PR											
	25 Rear	mm	8.25-15-14PR											
	26 Front	mm	1470											
	27 Rear	mm	1700											
Chassis	28 Wheelbase	mm	2250											
	29 Ground clearance	mm	200/160											
	30 Mast (No/Full load)		240/200											
	31 Self weight	Kg	8000	8650	9050	8000	8650	9050	8000	8650	9050	8000	8650	9050
	32 Full load	mm	10660	12452	13842	10660	12452	13842	10660	12452	13842	10660	12452	13842
	33 Weight Distribution	mm	2340	2198	2028	2340	2198	2028	2340	2198	2028	2340	2198	2028
	34 No load	mm	2800	3028	3168	2800	3028	3168	2800	3028	3168	2800	3028	3168
	35 Voltage/Capacity	V/AH	5200	5622	5882	5200	5622	5882	5200	5622	5882	5200	5622	5882
Power & transmission	36 Model	S6S-T	QSF3-8											
	37 Manufacture	Mitsubishi	Cummins											
	38 Rated output/r.p.m	kw	63.9/2300	86/2200										
	39 Rated torque/r.p.m	N.m	285/1700	470/1520										
	40 Engine		4											
	41 No. of cylinder		6											
	42 Bore×Stroke	mm	94×120											
	43 Displacement	cc	4986											
	44 Fuel tank capacity	L	140											
	45 Manufacture		China											
	46 Type		PowerShift											
	47 Stage		2/2											
48 Operating pressure	Mpa	19												

1. Special lifting height available (2-stage mast : 2.5m, 2.7m, 3.0m, 3.3m, 3.5m, 3.6m, 3.7m, 4m, 4.3m, 4.5m, 5m, Full Free Duplex Mast 3.0m, 3.3m, 3.5m, 3.6m, 3-stage mast : 4.3m, 4.5m, 4.8m, 5m, 5.5m, 6m)

3. The parameters in the table are of the standard model. For more information, please contact us. 4. Specification are subject to change without notice.

2. Attachment available.

CPCD80/100T8

T8 series 8.0-10.0t forklift specification:

General		EP			
1	Manufacture	CPCD80T8	CPCD100T8	CPCD80T8	CPCD100T8
2	Model				
3	Power type	Diesel			
4	Rated capacity	8000	10000	8000	10000
5	Load center	600			
6	Lift height	3000			
7	Free lift height	200			
8	Fork size	1500×160×75	1500×160×80	1500×160×75	1500×160×80
9	Mast tilt range	L×W×T		6/12	
10	Fork overhang(wheel center to fork face)	F/R		728	
11	Rear overhang	mm	680	680	700
12	Length to face of fork	mm	3950	3950	4250
13	Overall width	mm	2245		
14	Mast lowered height	mm	2850		
15	Mast extended height	mm	4420		
16	Overhead guard height	mm	2560		
17	Turning radius(outside)	mm	3700	3700	3700
18	Minimum rectangular aisle width.	mm	4580	4580	4580
19	Speed	Km/h	25		
20	Lifting (Full load)	mm/sec	390/340	390/340	390/340
21	Max.Drawbar Pull (Full load)	N	28500	28500	28500
22	Max.Gradeability (Full load)	%	20		
23	Tyres	mm	4900-20-14PR		
24	Tread	mm	2×900-20-14PR		
25	Wheelbase	mm	1600		
26	Ground clearance	mm	1700		
27	Mast (No/Full load)	mm	2500	2500	2500
28	Frame (No/Full load)	mm	240/190	240/190	240/190
29	Self weight	Kg	350/340	350/340	350/340
30	Full load	mm	11050	11050	11050
31	Rear	mm	17200	17200	17200
32	Front	mm	1850	1850	1850
33	No load	mm	4900	4900	4900
34	Voltage/Capacity	V/AH	6150	6150	6150
35	Modal		6RG332	6RG332	6RG1
36	Manufacture		China	China	ISUZU
37	Rated output/r.p.m	kw	85/2200	86/2200	82.3/2000
38	Rated torque/r.p.m	N.m	450/1400-1800	470/1320	418/1400-1600
39	No.of cylinder	mm	6	4	6
40	Bore×Stroke	mm	102×118	102×115	105/125
41	Displacement	cc	5785	3757	6494
42	Fuel tank capacity	L	160	160	160
43	Manufacture		China	China	
44	Type		Powershift	Powershift	
45	Stage		2/2	2/2	
46	Operating pressure	Mpa	20.5		

1. Special lifting height available For further information please contact us. 2. Attachment available.

3. The specification in the table are for standard models only . For further information please contact us. 4. Specification are subject to change without notice.

5.0/6.0/7.0t T8 series mast: (pneumatic)

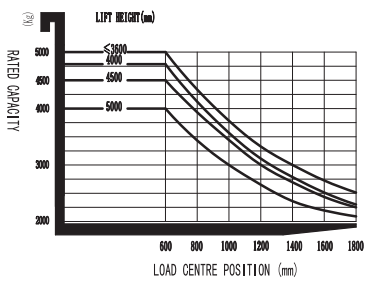
Type	Model	Max.fork height mm	Overall height				Free lift		Front Overhang mm	Tilt range		Capacity				
			Lowered mm	Extended		Without backrest mm	With backrest mm	FWD Deg		BWD Deg	Load capacity at 600 mm					
				Without backrest mm	With backrest mm						5.0t kg	6.0t kg	7.0t kg			
Wide view mast	2W300	3000	2510	4000	4430	130	130	635	6	12	5000	6000	7000			
	2W330	3300	2660	4200	4730	130	130	635	6	12						
	2W350	3500	2760	4500	4930	130	130	635	6	12						
	2W400	4000	3020	5000	5430	130	130	635	6	12						
	2W450	4500	3310	5500	5930	130	130	635	6	6						
	2W550	5500	3860	6500	6930	130	130	635	6	6				4800	5800	6800
Wide view full 2-stage mast	2F300	3000	2460	4000	4430	1545	1090	635	6	12	5000	6000	—			
	2F330	3300	2610	4300	4730	1695	1240	635	6	12						
	2F350	3500	2710	4500	4930	1795	1340	635	6	12						
	2F400	4000	3010	5000	5430	2095	1640	635	6	12						
Wide view full 3-stage mast	3F450	4500	2650	5750	5070	1740	1285	680	6	6	4500	5500	6500			
	3F480	4800	2765	6050	5375	1845	1390	680	6	6						
	3F500	5000	2830	6250	5575	1910	1455	680	3	6						
	3F540	5400	2965	6830	6150	2045	1590	680	3	6				4200	5200	5500
	3F600	6000	3165	7250	6570	2245	1790	680	3	6				4000	5000	5300

8.0/10.0t T8 series mast: (pneumatic)

Type	Model	Max.fork height mm	Overall height			Free lift		Front Overhang		Tilt range		Capacity	
			Lowered mm	With backrest mm	Without backrest mm	With backrest mm	8.0t mm	10.0t mm	FWD Deg	BWD Deg	Load capacity at 600 mm		
											8.0t kg	10.0t kg	
Wide view mast	2W300	3130	2920	4310	210	210	728	728	6	12	8000	10000	
	2W330	3430	3070	4610	210	210	728	728	6	12			
	2W350	3630	3170	4810	210	210	728	728	6	12			
	2W400	4130	3470	5310	210	210	728	728	6	12			
	2W450	4630	3720	5810	210	210	728	728	6	12			
	2W550	5630	3970	6310	210	210	728	728	6	6			7200
Wide view full 3-stage mast	3F450	4530	2900	5875	1580	1580	768	768	6	6	7200	7800	
	3F480	4830	3000	6175	1680	1680	768	768	6	6	7000	7650	
	3F500	5030	3065	6375	1745	1745	768	768	6	6	6300	7500	
	3F550	5530	3255	6775	1935	1935	768	768	3	6	6500	7200	
	3F600	6030	3455	7375	2135	2135	768	768	3	6	6000	6000	

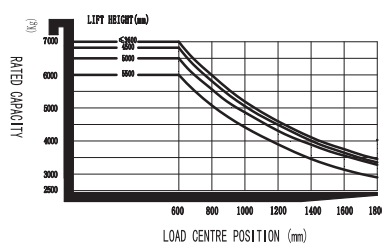
RATED CAPACITIES AND LOAD CENTERS GRAPH

CPCD50T8



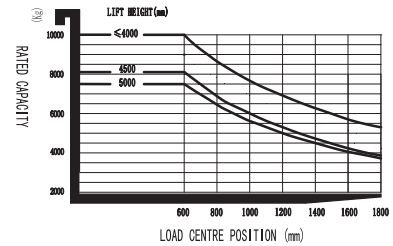
RATED CAPACITIES AND LOAD CENTERS GRAPH

CPCD70T8



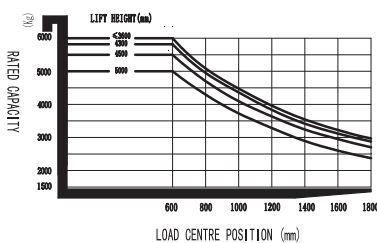
RATED CAPACITIES AND LOAD CENTERS GRAPH

CPCD100T8



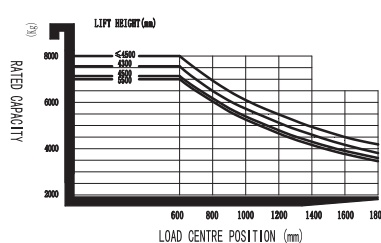
RATED CAPACITIES AND LOAD CENTERS GRAPH

CPCD60T8

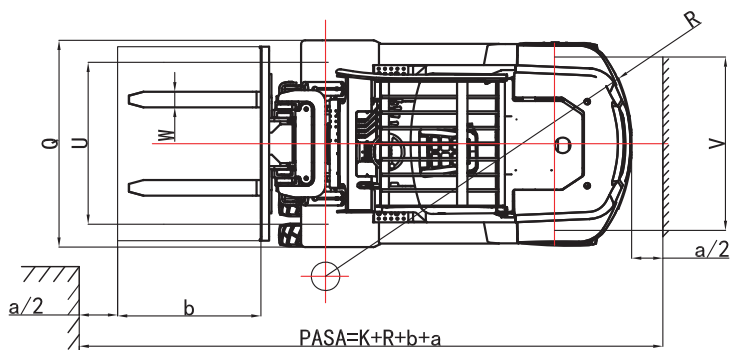
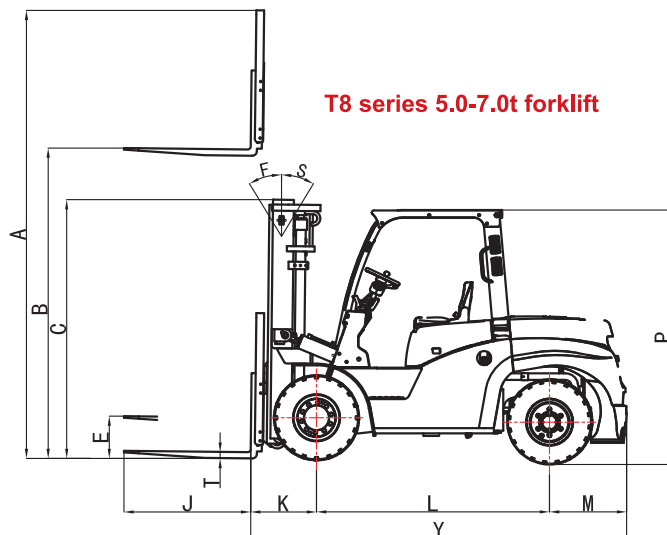


RATED CAPACITIES AND LOAD CENTERS GRAPH

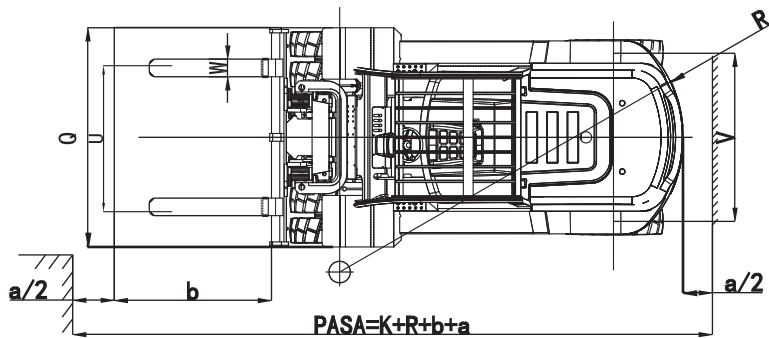
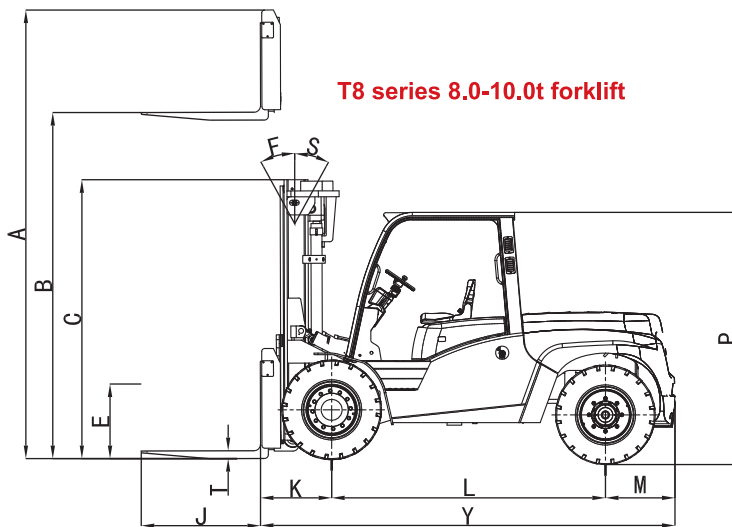
CPCD80T8



T8 series 5.0-7.0t forklift



T8 series 8.0-10.0t forklift



Option

Options	CPCD50T8	CPCD60T8	CPCD70T8	CPCD80T8	CPCD100T8
1 Other dimension forks	○	○	○	○	○
2 Fork Extension	○	○	○	○	○
3 Folding fork	○	○	○	○	○
4 Fork positioner	○	○	○	○	○
5 Imported engine	○	○	○	○	○
6 High-mounted Exhaust system	○	○	○	○	○
7 Dual air cleaner	○	○	○	○	○
8 Solid tyre	○	○	○	○	○
9 No-mark tyre	○	○	○	○	○
10 Special height overhead guard	○	○	○	○	○
11 Overhead guard rainproof hood	●	●	●	●	●
12 Different lifting height masts	○	○	○	○	○
13 Attachment	○	○	○	○	○
14 Cabin	○	○	○	○	○
15 Heater	○	○	○	○	○
16 Front window with wiper	○	○	○	○	○
17 Rear window with wiper	○	○	○	○	○
18 Cabin without side doors	●	●	●	●	●
19 LED Front working light	●	●	●	●	●
20 LED rear working light	○	○	○	○	○
21 Fire extinguisher	○	○	○	○	○
22 Luxury Seat(full suspension)	○	○	○	○	○
23 Seat switch	●	●	●	●	●
24 Warning light under engine cover	○	○	○	○	○
25 Insulation mat	○	○	○	○	○
26 OPS system	○	○	○	○	○
27 Special carriage and backrest	○	○	○	○	○
28 FAN	○	○	○	○	○

Note: ● standard ○ option — NA

T8 series 5.0-7.0t forklift



T8 series 8.0-10.0t forklift

